

DEPARTMENT OF FIRE AND RESCUE SERVICES



MEMORANDUM



2009.005

Originating From	Issue Date	Expiration Date	Attachments
Emergency Medical Services	2/24/2009		

SUBJECT: FERNO Model 678 Pedi-Mate

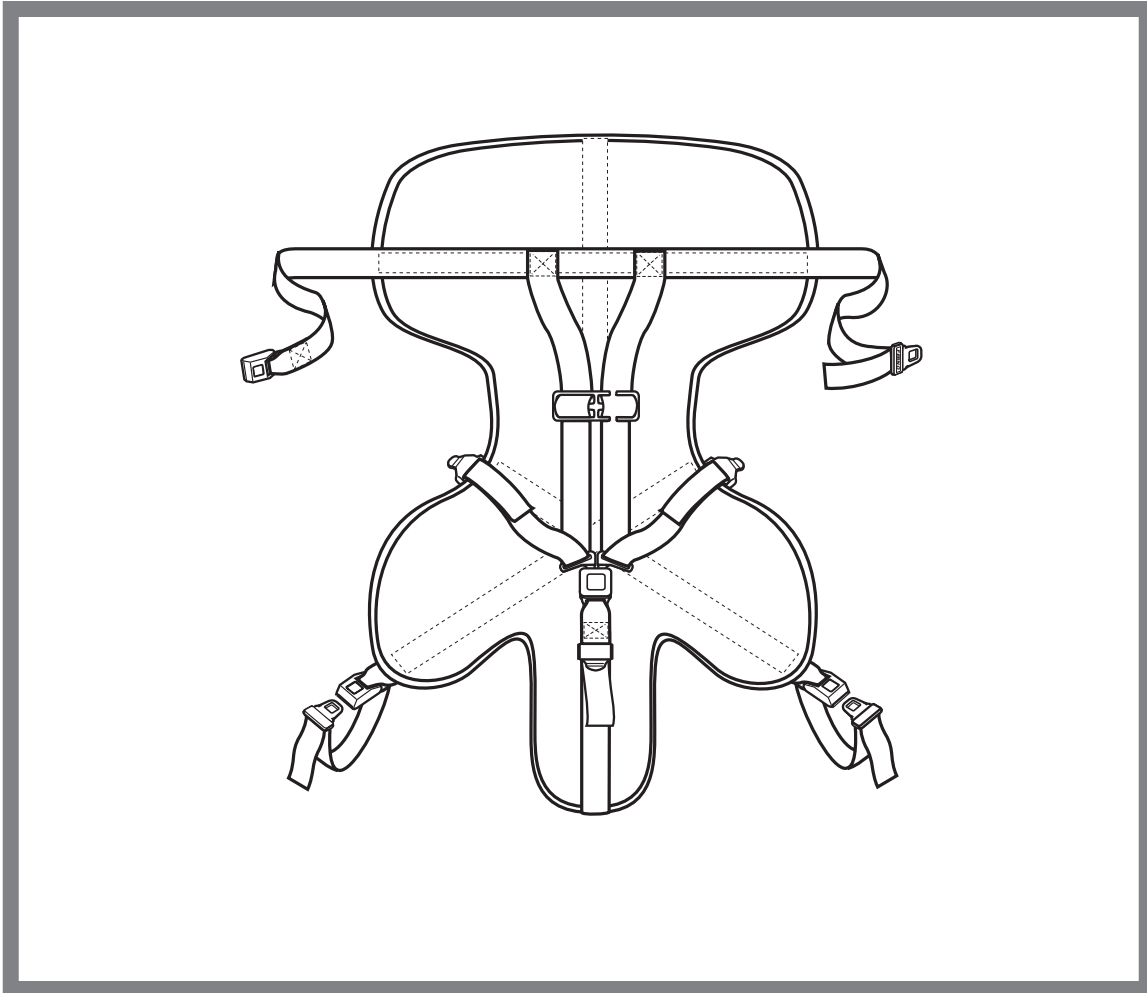
APPLICABILITY: All Operational Personnel

- 1 DFRS has recently purchased the FERNO Model 678 Pedi-Mate for use on our ambulances in transporting pediatrics.
- 2 Please review the attached information on the proper usage of the Pedi-Mate.
- 3 The device should be stored under the bench seat when not in use.

Approved:

Joseph A. Herr
Fire Chief

Users' Manual



Model 678
Pedi-Mate®

TABLE OF CONTENTS

Section	Page	Section	Page
1 - Safety Information	4, 5	4.2 General Guidelines for Use	8
1.1 Warning	4	4.3 Preparing the Cot and Pedi-Mate	9
1.2 Important	4	4.4 Securing the Pedi-Mate on a Cot	9
1.3 Bloodborne Disease Notice	4	4.5 Securing the Patient in the Pedi-Mate	10
1.4 Safety and Instruction Labels	4	4.6 Releasing the Patient from the Pedi-Mate	11
1.5 Symbol Glossary	5	4.7 Storing the Pedi-Mate	11
2 - Operator Skills and Training	5	5 - Maintenance	12
2.1 Skills	5	5.1 Maintenance Schedule	12
2.2 Training	5	5.2 Disinfecting the Pedi-Mate	12
3 - About the Pedi-Mate	6, 7	5.3 Cleaning the Pedi-Mate	12
3.1 Pedi-Mate Description	6	5.4 Inspecting the Pedi-Mate	12
3.2 General Specifications	6	6 - Limited Warranty Summary	13
3.3 Components	7	7 - Ferno Customer Relations	13
4 - Using the Pedi-Mate	8-11	Training Record	14
4.1 Before Placing the Pedi-Mate in Service	8	Maintenance Record	15

Illustrations

Symbol Glossary	5	Figure 4 - Fastening a Shoulder Strap	10
Pedi-Mate Components	7	Figure 5 - Shoulder Straps in Chest Clip	10
Figure 1 - Pedi-Mate Positioned on a Cot	9	Figure 6 - Snugging the Straps	10
Figure 2 - Attaching the Pedi-Mate Backrest Strap	9	Figure 7 - Loosening the Straps	10
Figure 3 - Attaching a Strap to the Cot Main Frame	9	Figure 8 - Loosening the Crotch Strap	11
		Maintenance Table	12

1 - SAFETY INFORMATION

1.1 Warning

Warning notices indicate a potentially hazardous situation which, if not avoided, could result in injury or death.

WARNING

Untrained operators can cause injury or be injured. Permit only trained personnel to apply the Pedi-Mate.

Improper use of the Pedi-Mate can cause injury. Use the Pedi-Mate only for the purpose described in this manual.

Improper application can cause injury. Apply the Pedi-Mate only as described in this manual.

An unattended patient can be injured. Stay with the patient at all times.

Secure and snug all straps.. Unsecured or loose straps may allow movement and result in injury or death of the patient.

Improper maintenance can cause injury. Maintain the Pedi-Mate only as described in this manual.

Modifying the Pedi-Mate can cause injury and damage. Use the Pedi-Mate only as designed by Ferno.

1.2 Important

Important notices emphasize important usage or maintenance information.

Important

Disinfectants and cleaners containing bleach, phenolics, or iodines can damage the Pedi-Mate. Do not disinfect or clean the Pedi-Mate with products containing these chemicals.

1.3 Bloodborne Disease Notice

To reduce the risk of exposure to bloodborne diseases such as HIV-1 and hepatitis when using the Pedi-Mate, follow the disinfecting and cleaning instructions in this manual.

1.4 Safety and Instruction Labels

Safety and instruction labels place important information from the Users' Manual on the Pedi-Mate.

Read and follow label instructions. Illustrations showing how to attach the Pedi-Mate to a cot are printed directly on the Pedi-Mate base. For complete instructions, see *Using the Pedi-Mate*, pages 8-11.

1.5 Symbol Glossary

The symbols defined below appear in this users' manual. Ferno uses symbols recognized by the International Standards Organization (ISO), the American National Standards Institute (ANSI), and the emergency medical services industry.



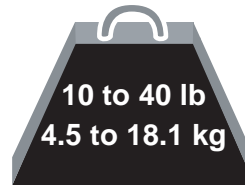
Indicates a general warning of potential injury. Specific warnings are indicated by the words or additional symbols used with the triangle symbol.



Use of the Pedi-Mate requires a minimum of one trained operator.



Read the Users' Manual



The Pedi-Mate load limit is minimum 10 lb (4.5 kg) and maximum 40 lb (18.1 kg).

2 - OPERATOR SKILLS AND TRAINING

2.1 Skills

Operators using the Pedi-Mate need:

- a working knowledge of emergency patient-handling procedures.
- the ability to assist the patient.
- a complete understanding of the procedures described in this manual.

2.2 Training

Trainees need to:

- follow a training program designed by their training officer.
- read this manual. For additional free users' manuals, contact your Ferno distributor or Ferno Customer Relations (page 13).

! WARNING

Untrained operators can cause injury or be injured. Permit only trained personnel to apply the Pedi-Mate.

- practice with the Pedi-Mate before using it in regular service.
- be tested on their understanding of the Pedi-Mate.
- record their training information. A sample training record sheet is provided on page 14.

3 - ABOUT THE PEDI-MATE®

3.1 Pedi-Mate Description

The Pedi-Mate is designed to secure infants and toddlers from 10 to 40 lb (4.5 to 18.1 kg) on a properly-secured Ferno cot during ambulance transport.

USE

The Pedi-Mate is designed for use only in an emergency setting and only by suitably trained personnel. Where child restraint is needed outside of this setting, the transport vehicle should be fitted with restraints in accordance with applicable local standards and regulations, including but not limited to, the United Nations standard ECE Regulation 44-03 and the United States Federal Motor Vehicle Safety Standards and regulations.

The Pedi-Mate is for professional use by one or more trained operators.

The Pedi-Mate is not designed as an immobilization device and should not be used to immobilize the patient, or as part of an immobilization system.

FEATURES

The Pedi-Mate blanket is soft, lightweight vinyl. One-piece webbing straps with quick-release buckles securely attach it to Ferno cot frames at three points.

The five-point patient harness consists of two continuous-loop shoulder/torso straps and a crotch strap. All secure in a central, fast-release buckle and all are fully adjustable.

COMPATIBLE COTS

The Pedi-Mate is designed for use with the following Ferno cot models:

26 Series	29-M
30-SC	35-A Series
35-A+ Series	35-P PROFlexx Series
35-X PROFlexX Series	93-ES Series
93-EX Series	93-P PROFlexx Series
POWERFlexx	EFX 1 Stretcher Chair
EFX 2 Stretcher	EFX 3 Stretcher
EFX MonoBloc	4140 Series Stretchers
Falcon Range	Pegasus Range
Hawk Range	Megasus
CCT Range	

Note: The Pedi-Mate is **not** compatible with Models 28, 28-Z PROFlexx, and 2033 chair cots.

3.2 General Specifications

Open, Flat

Width 19 in (48 cm)

Length 32 in (80 cm)

Rolled

Diameter 4 in (10 cm)

Length 19 in (48 cm)

Weight 2.5 lb (1.1 kg)

Load Limit

Minimum 10 lb (4.5 kg)

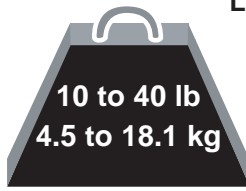
Maximum 40 lb (18.1 kg)

Webbing Rating 3500 lb (1.6 mt)

Most general specifications are rounded to the nearest whole number. Metric conversions are calculated before rounding the English measurements.


For more information about the Pedi-Mate, contact Ferno Customer Relations (page 13) or your Ferno distributor.

Ferno reserves the right to change specifications without notice.



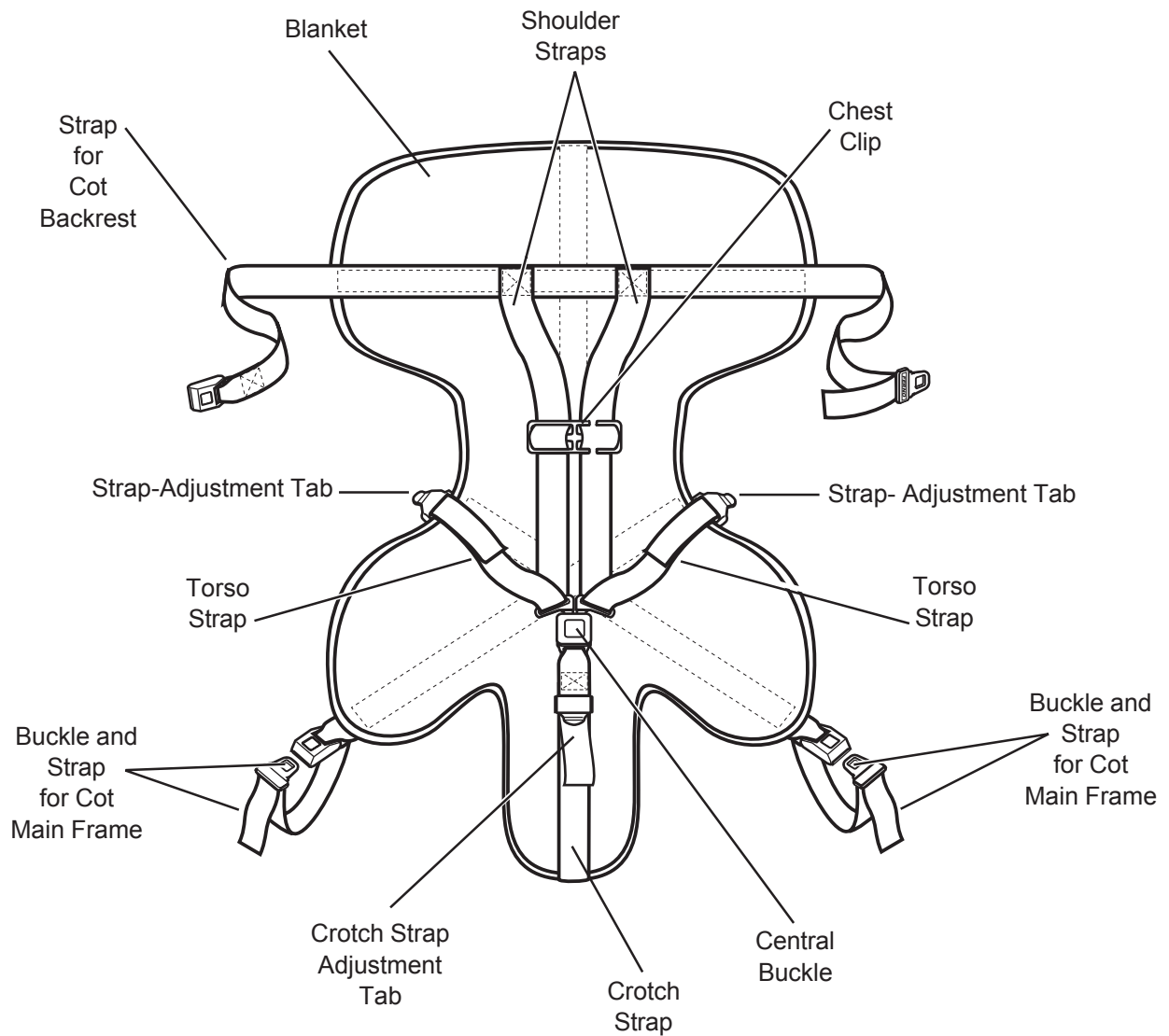
LOAD LIMIT

Inspect the Pedi-Mate if the load limit has been exceeded
(see *Inspecting the Pedi-Mate*, page 12).

 **WARNING**

Improper use of the Pedi-Mate can cause injury. Use the Pedi-Mate only for the purpose described in this manual.

3.3 Components



Not Shown

Hook-and-loop storage straps on reverse surface of Pedi-Mate are not visible in this view



USERS' MANUAL

To request additional free users' manuals, please contact Ferno Customer Relations (page 13) or visit us at www.ferno.com

4 - USING THE PEDI-MATE®

4.1 Before Placing the Pedi-Mate in Service

- ❑ Personnel who will work with the Pedi-Mate need to read this manual and practice using the Pedi-Mate.
- ❑ Confirm that the Pedi-Mate operates properly. Follow instructions in *Inspecting the Pedi-Mate*, page 12.

4.2 General Guidelines for Use

- Medical advice is beyond the parameters of this manual.
- It is the Pedi-Mate users' responsibility to ensure safe practices for the patient and themselves.
- It is the responsibility of qualified Emergency Medical Service personnel to assess the patient's condition and determine the proper equipment and procedures to use.
- Follow standard emergency patient-handling procedures when using the Pedi-Mate.
- Stay with the patient at all times.
- Always use the the patient harness.
- Use the Pedi-Mate only when all elements are in good working order.
- Use the Pedi-Mate only with the approved cot models listed on page 5.
- **Never** use the Pedi-Mate in a captain's chair or front seat of an ambulance.
- **Never** use the Pedi-Mate as an immobilization device or as part of an immobilization system.
- If the Pedi-Mate is in use at the time of a vehicular accident, remove the Pedi-Mate from service and replace it.

WARNING

Improper application can cause injury. Apply the Pedi-Mate only as described in this manual.

WARNING

An unattended patient can be injured. Stay with the patient at all times.

WARNING

Secure and snug all straps. Unsecured or loose straps may allow movement and result in injury or death of the patient.

4.3 Preparing the Cot and the Pedi-Mate

1. Remove any restraints attached to the cot.
2. Raise the cot backrest and lock it in place at an angle between 15 and 45 degrees. This will keep the patient's shoulders higher than the pelvis and maintain the proper center of gravity.
3. Unroll the Pedi-Mate and spread it flat on the cot mattress with all straps extended.
4. Center the blanket left to right on the mattress
5. Position the blanket with the black backrest strap at the point where you expect the patient's shoulders to rest (Figure 1).
6. Run the ends of the backrest strap around the cot backrest until they meet in back, then fasten the buckle (Figure 2). Leave some slack in the strap for final adjustment.

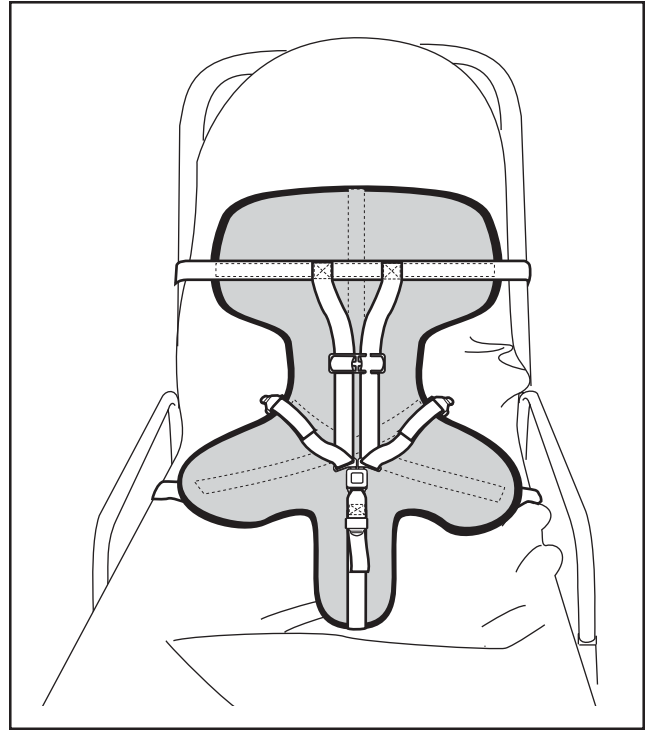


Figure 1 - Pedi-Mate Positioned on a Cot

4.4 Securing the Pedi-Mate On the Cot

1. Place the patient on the Pedi-Mate. If the black backrest strap is not at the patient's shoulder level, adjust the blanket position.
2. With the blanket properly positioned, tighten the backrest strap by pulling very firmly on the free end of the strap until the mattress is compressed.
3. Fasten a main-frame strap by threading the free end downward between the cot main frame and mattress next to the head-end sidearm casting.
4. Wrap the strap up around the cot main frame and fasten the buckle (Figure 3). Leave a little slack in the strap for final adjustment.
5. Repeat with other main-frame strap.
6. Tighten each main-frame strap by holding onto the buckle with one hand and pulling firmly on the free end of the strap.

Note: To loosen a main-frame strap, unfasten it, then grasp the buckle tongue and pull outward. Refasten the buckle.

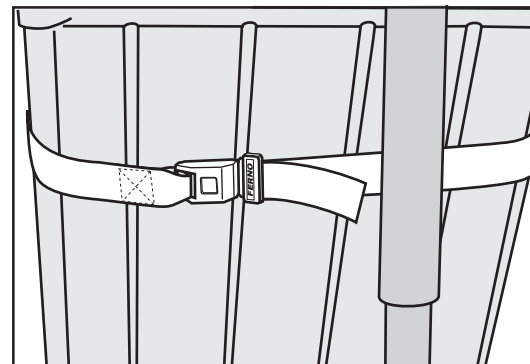


Figure 2 - Attaching the Pedi-Mate Backrest Strap

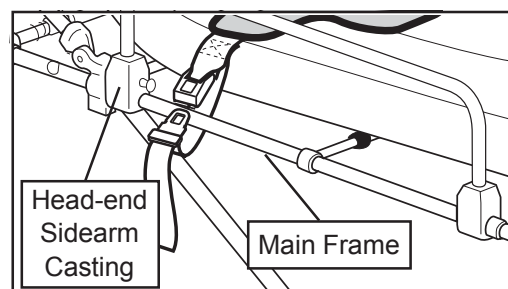


Figure 3 - Attaching a Strap to the Cot Main Frame

4.5 Securing the Patient in the Pedi-Mate Harness

1. Pull the crotch strap buckle up between the patient's legs and lay the strap on the patient's abdomen.
2. Lift a shoulder strap over one shoulder of the patient. Place the patient's arm through the strap, then lock the buckle half into the central buckle (Figure 4).
3. Repeat with the other shoulder strap.
4. Thread the shoulder strap on the patient's left side through the chest clip (Figure 5) and slide the chest clip to armpit level.
5. To snug the shoulder/torso straps, refer to Figure 6 and use the following procedure:
 - Snug the shoulder strap (C) against the shoulder and chest by pulling section A of the strap with one hand while steadying the central buckle with the other hand.
 - Repeat with the other shoulder strap.
 - Snug the torso strap (A) by pulling on section B with one hand while steadying the central buckle with the other hand.
 - Repeat with the other torso strap.
6. Snug the crotch strap by pulling on the free end.

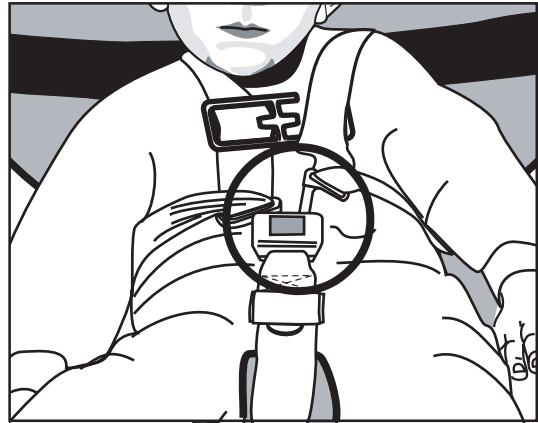


Figure 4 - Fastening a Shoulder Strap

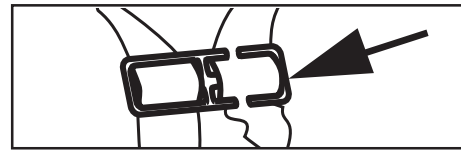


Figure 5 - Shoulder Straps in Chest Clip

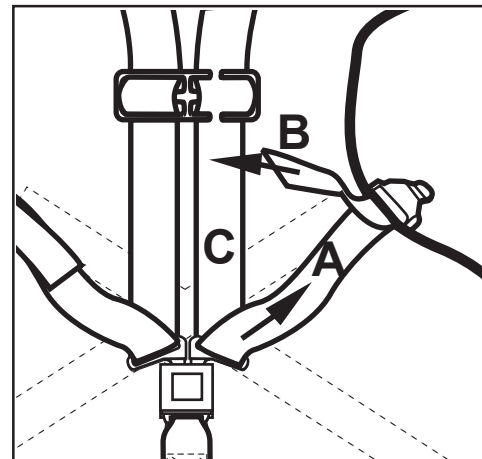


Figure 6 - Snugging the Straps

⚠ WARNING

Secure and snug all straps. Unsecured or loose straps may allow movement and result in injury or death of the patient.

LOOSENING THE HARNESS STRAPS

To loosen the straps, refer to Figures 7 and 8 and use the following procedure:

1. Grasp the adjustment tab (Figure 7) with one hand and pull the torso strap (A) back through the tab with your other hand.
2. Steady the central buckle with one hand and loosen the shoulder strap (C) by pulling it upward with the other hand.
3. Repeat with the other shoulder/torso strap.

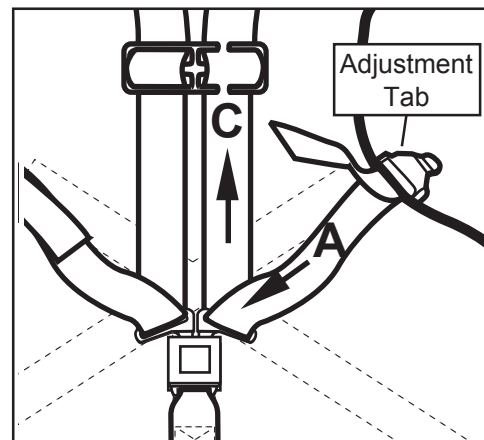


Figure 7 - Loosening the Straps

4. Loosen the crotch strap by grasping the adjustment tab with one hand and pulling downward on the portion of the strap that rests against the body (Figure 8).

4.6 Releasing the Patient from The Pedi-Mate Harness

1. Loosen the crotch strap.
2. Slide the chest clip down toward the central buckle and unthread the shoulder strap on the patient's left side from the clip.
3. Press the red release button in the central buckle and pull the buckle slightly downward to release the shoulder straps from the buckle.
4. Loosen the shoulder straps and slide them away from the patient's body.
5. Lift the patient from the Pedi-Mate according to local protocols.

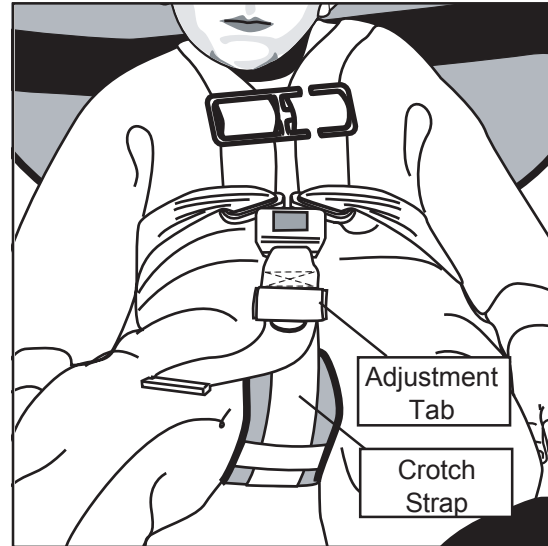


Figure 8 - Loosening the Crotch Strap

4.7 Storing Pedi-Mate

1. Detach the Pedi-Mate from the cot and spread it flat on the cot mattress.
2. Attach the shoulder straps to the central buckle and adjust all straps to lay smoothly against the blanket.
3. Fold the backrest straps across the blanket.
4. Fold the crotch panel up toward the center of the blanket.
5. Fold the cot main-frame straps and the lower blanket panels across the center of the Pedi-Mate.
6. Beginning at the crotch panel, roll the Pedi-Mate upward. Secure the roll with the hook-and-loop straps.

5 - MAINTENANCE

5.1 Maintenance Schedule

The Pedi-Mate requires regular maintenance. Set up and follow a maintenance schedule (see maintenance record sheet on page 15). The table at right represents minimum intervals for maintenance.

When using maintenance products, follow the manufacturers' directions and read the manufacturers' material safety data sheets.

Minimum Intervals For Maintenance	Each Use	As Needed	Each Month
Disinfecting (this page)	•		
Cleaning (this page)		•	
Inspecting (this page)		•	•

5.2 Disinfecting the Pedi-Mate

Wipe or spray all surfaces of the Pedi-Mate and all straps. Follow the disinfectant manufacturer's directions for application and contact time.

5.3 Cleaning the Pedi-Mate

Hand wash the Pedi-Mate blanket and all straps with warm, soapy water and a clean cloth or soft brush. Rinse with clear water. Dry the blanket with a towel and allow the straps to air dry.

Do not immerse the buckles in water.

5.4 Inspecting the Pedi-Mate

Have your service's equipment maintenance personnel inspect the Pedi-Mate. Follow the inspection checklist.

If the inspection shows damage or excessive wear, remove the Pedi-Mate from service. Ferno recommends that in addition to scheduled maintenance, operators perform a visual inspection each time the Pedi-Mate is used. If damage is noted, remove the Pedi-Mate from service immediately and replace it.

INSPECTION CHECKLIST

- Are all components present?
- Is the Pedi-Mate free of excessive wear?
- Is all stitching secure?
- Do the central buckle and adjustment tabs operate properly and smoothly?
- Are there cuts or tears in the blanket or straps?

WARNING

Improper maintenance can cause injury. Maintain the Pedi-Mate only as described in this manual.

WARNING

Modifying the Pedi-Mate can cause injury and damage. Use the Pedi-Mate only as designed by Ferno.

Important

Disinfectants and cleaners containing bleach, phenolics, or iodines can damage the Pedi-Mate. Do not disinfect or clean the Pedi-Mate with products containing these chemicals.

Important

If the Pedi-Mate is in use at the time of a vehicular accident remove the Pedi-Mate from service and replace it.